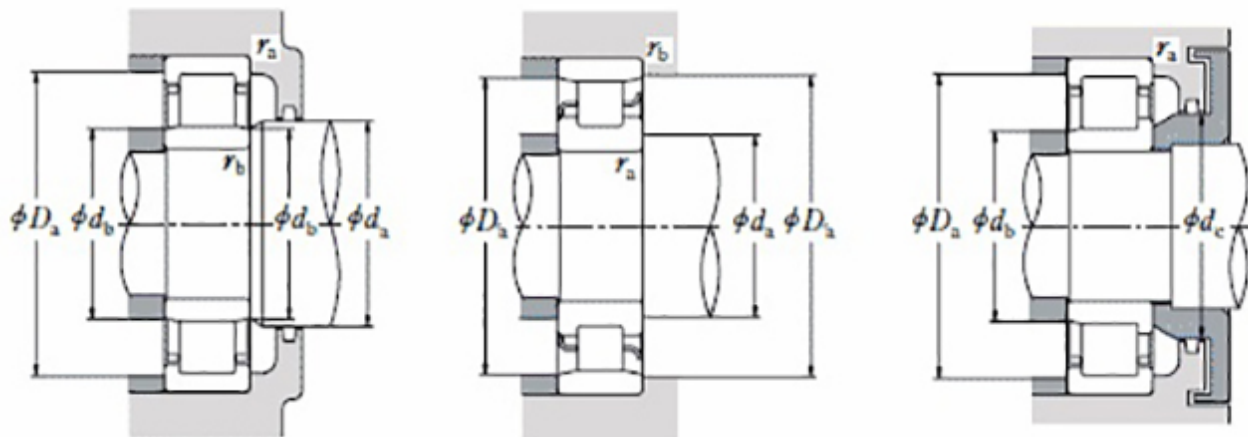
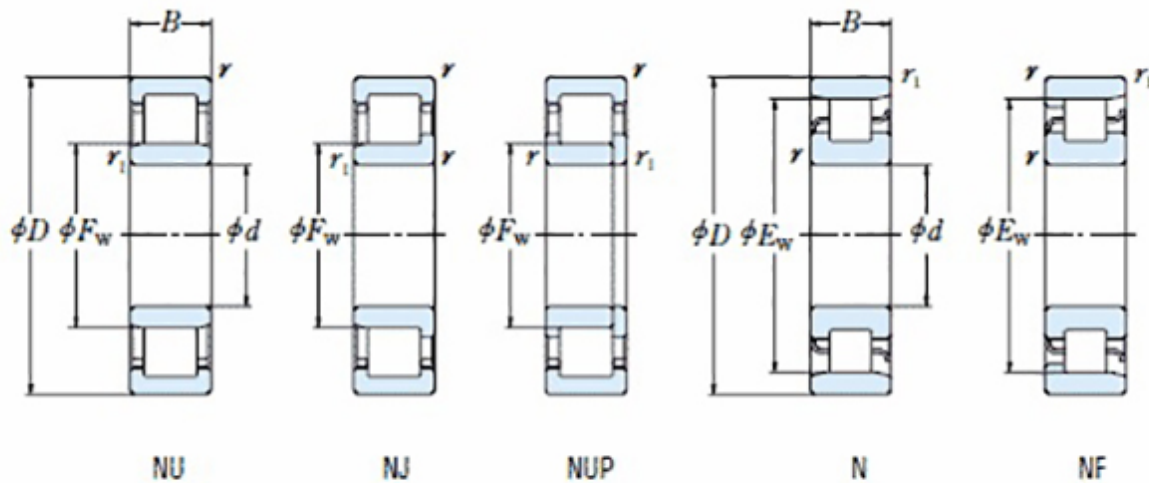


N 311 W-NSK CYLINDRISK RULLELEJE ENRADET MED STÅLHOLDER



High quality cylindrical roller bearing with pressed steel cage cage from the leading manufacturer NSK

Basic dimensions

Inner diameter [d]	55.00	mm
Width [B]	29.00	mm
Outer diameter [D]	120.00	mm

Other data

