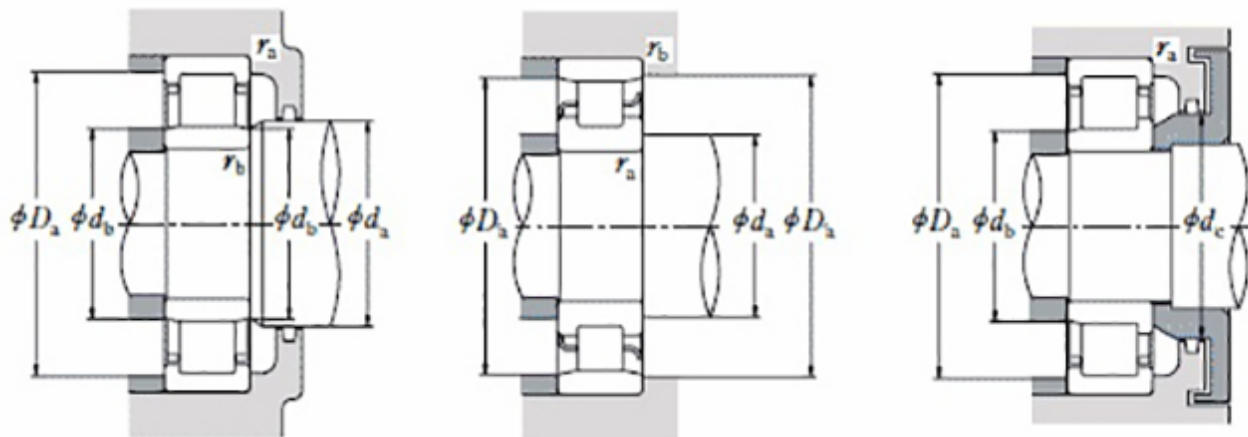
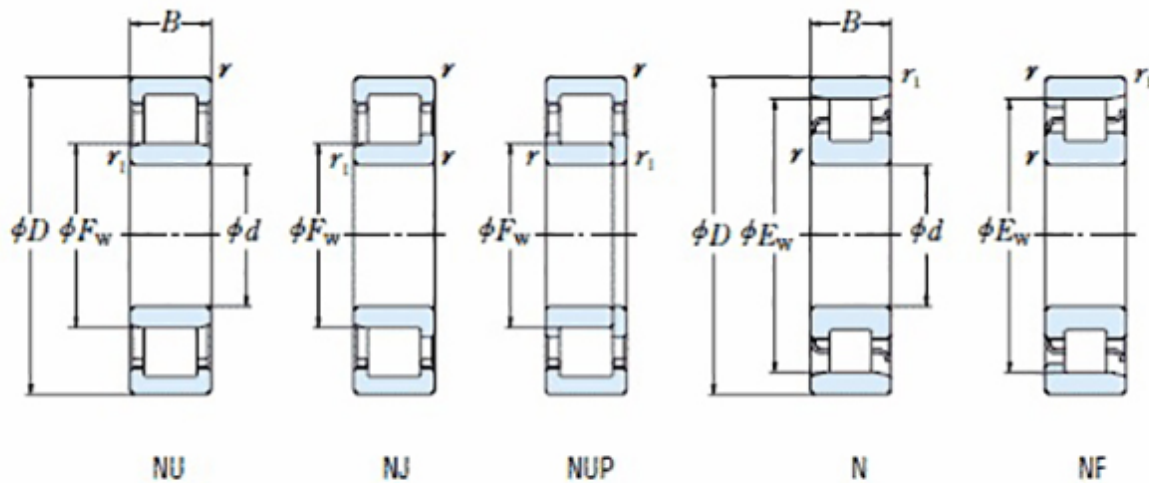


NU 203 W-NSK CYLINDRISK RULLELEJE ENRADET MED STÅLHOLDER



High quality cylindrical roller bearing with pressed steel cage cage from the leading manufacturer NSK

Basic dimensions

Inner diameter [d]	17.00	mm
Width [B]	12.00	mm
Outer diameter [D]	40.00	mm

Other data

