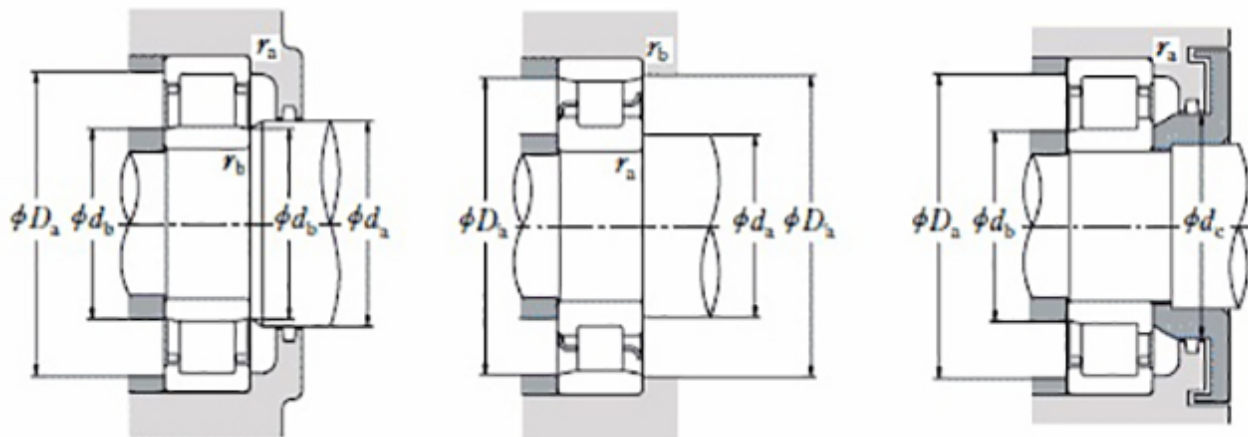
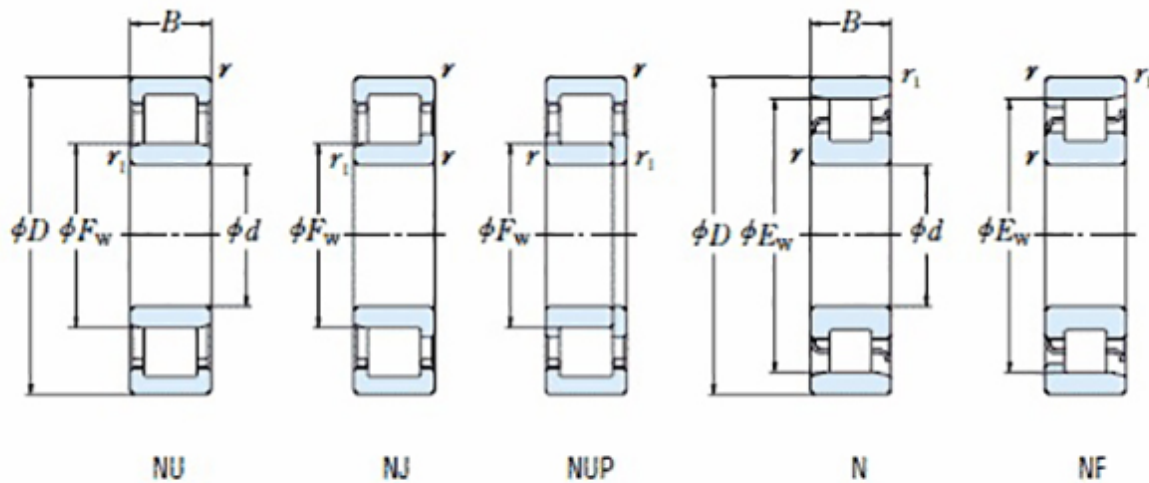




order@nomo.se | +45 44 20 86 00 | https://nomo.dk

NU 2232 EMA C3-TIMKEN CYLINDRISK RULLELEJE ENRADET MED MESSINGHOLDER



High quality cylindrical roller bearing with machined brass cage from the leading manufacturer TIMKEN. Featuring the TIMKEN EMA design. A premium land-riding cage, unique internal geometries, enhanced surface finishes and a compact design. All this adds up to longer life, improved uptime and reduced maintenance costs.

Basic dimensions

Inner diameter [d]	160.00	mm
Width [B]	80.00	mm
Outer diameter [D]	290.00	mm

Other data

Clearance
Design

C3
NU